

Hot Tub Cover Selections

All Covers Include:

- 28 oz. Marine-Grade Vinyl – 18 colors
- 10 oz. Double-Side Polyester Solid Bottom
- Four (4) 11" Long Locking Tie-Down Straps (Except Round 2)
- Eight (8) Weep Holes
- Virgin EPS Foam Cores
- Steel C- Channel Reinforcements
- 3mil VaporShieldPE Heat-Sealed Barrier
- Two (2) Handles

Standard Limited Warranty: Vinyl – 5 Years Pro-Rated Foam Core 1.0 lb. – 1 Year Foam Core 2.0 lbs. – 2 Years

1 lb. Deluxe Foam Core

2 lb. Supreme Foam Core

Thermal Guard Deluxe

4" X 2" X 1.0 lb. Foam
R Factor 14

\$388~Special

Compare at \$592

Vis # 10623

Thermal Supreme

4" X 2" X 2.0 lb. Foam
R Factor 17

\$465~Special

Compare at \$709

Vis # 10618

Polar Cap Deluxe

5" X 3" X 1.0 lb. Foam
R Factor 19

\$421~Special

Compare at \$642

Vis # 10624

Polar Cap Supreme

5" X 3" X 2.0 lb. Foam
R Factor 23

\$520~Special

Compare at \$793

Vis # 10616

Tundra Deluxe

6" X 4" X 1.0 lb. Foam
R Factor 22

\$454~Special

Compare at \$693

Vis # 10625

Tundra Supreme

6" X 4" X 2.0 lb. Foam
R Factor 27

\$587~Special

Compare at \$894

Vis # 10626

Walk-On Spa Cover

4" X 2" X 1.0 lb. Density EPS Foam Core
G30 Fiberglass Reinforced Panel
Laminated on Both Sides
13 lbs./sq. ft. of Walk-on Weight Capable
832 lbs. Maximum Load on 96" X 96"
R Factor 14

Walk-On Spa Cover Limited Warranty

Vinyl Skin: 5 Years Pro-Rated
Foam Core: 5 Years Delamination
Foam Core: 3 Years Water Absorption
Maximum Size 96" X 96" Cover

Vis# 10627

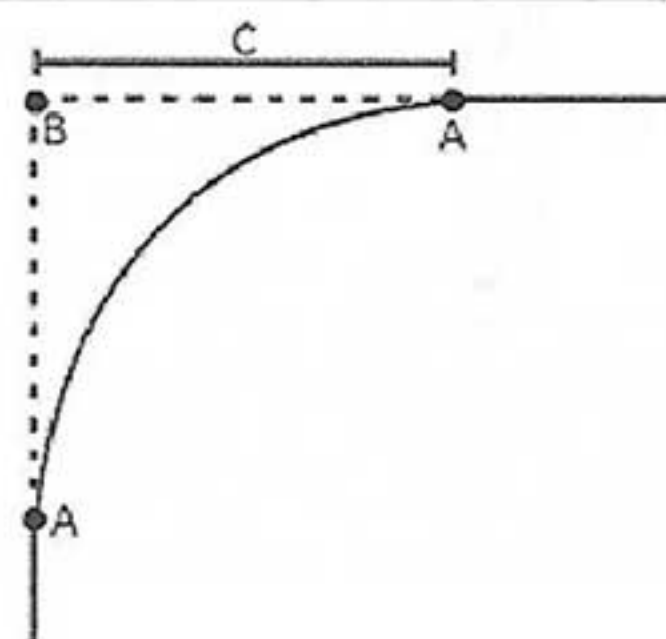


ROUND CORNER – RADIUS CORNER MEASURING GUIDE:

Special Instructions

To measure the radius (C) of a rounded corners shaped spa, extend two imaginary lines from the break in the spa shell (Point A) until they meet (Point B).

The distance between the break of the curve (Point A) and the imaginary square corner (Point B) is the radius of the rounded corners (Measurement C)





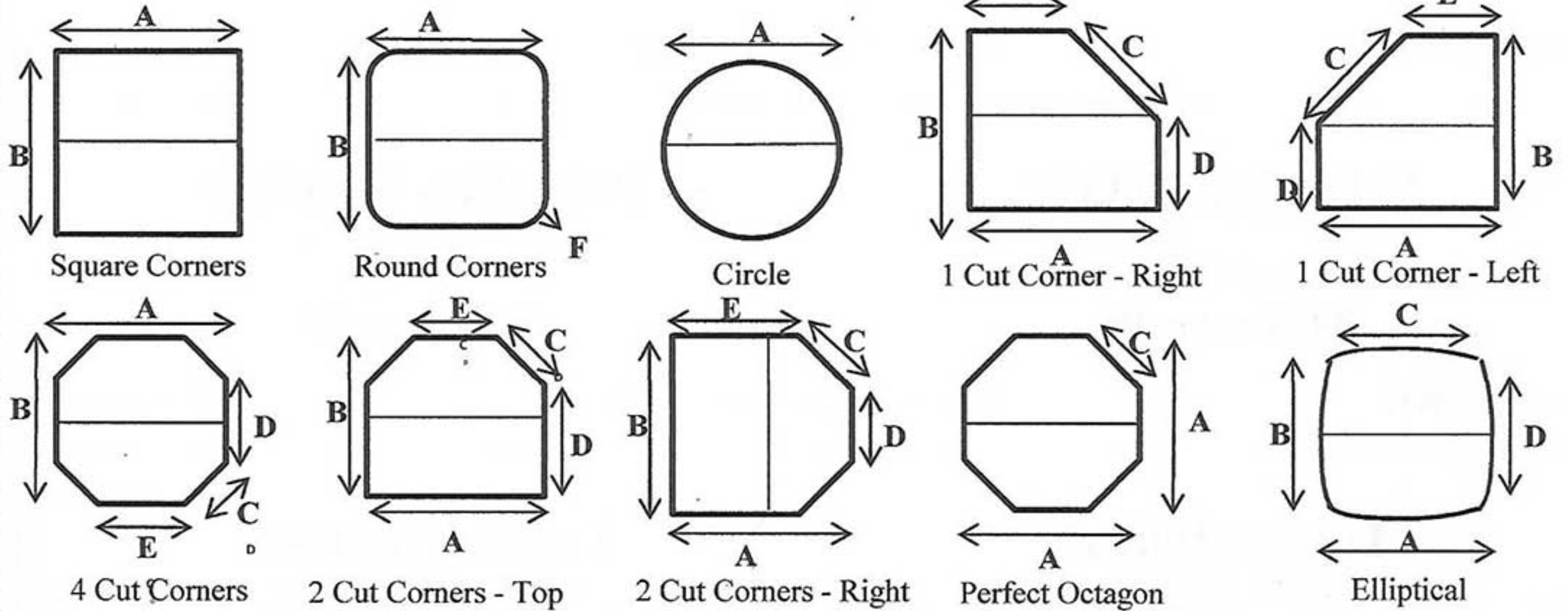
Name: _____
 Address: _____
 City: _____ State: _____ Zip Code: _____
 Home Phone : (____) _____ Cell Phone : (____) _____
 Email: _____
 Store's #: _____ Order Number: _____ Date: _____ Salesperson: _____ Store: _____

Spa Information: We use your provided measurements to build your cover, the brand information you provide below is a reference only.

Make: _____	Model: _____	Year: _____
-------------	--------------	-------------

SELECT YOUR SHAPE:

Please circle the shape below that corresponds to your spa's shape.



Color:

Note: Colors Subject to change due to dye lot variances. Current swatches available upon request.

- | | | | |
|--|--|---|--|
| <input type="radio"/> Vis#10615 Almond | <input type="radio"/> Vis#10604 Charcoal | <input type="radio"/> Vis#10612 Parchment | <input type="radio"/> Vis#10614 Tan |
| <input type="radio"/> Vis#10605 Ash Grey | <input type="radio"/> Vis#10617 Dark Blue | <input type="radio"/> Vis#10611 Rust | <input type="radio"/> Vis#10602 Teal |
| <input type="radio"/> Vis#10607 Black | <input type="radio"/> Vis#10608 Hunter Green | <input type="radio"/> Vis#10629 Sapphire Blue | <input type="radio"/> Vis#10610 Walnut |
| <input type="radio"/> Vis#10630 Bourbon | <input type="radio"/> Vis#10603 Light Blue | <input type="radio"/> Vis#10606 Slate Grey | <input type="radio"/> Vis#10628 White |
| <input type="radio"/> Vis#10613 Brown | <input type="radio"/> Vis#10609 Maroon | | |

Measurements Of Cover:

Please provide the measurements in inches rounded up to the nearest 1/2". Please note that the fold direction splits the B side in half.

A: _____ B: _____ C: _____
 D: _____ E: _____ F: _____

Skirt Length : (Circle One)

None 2" 3" 4" 5" Other: _____ *

Tie-Down Straps: (Circle One) Comes 11" Long

None 2 4 Other: _____ **

Extra Straps \$10 each #10631**

Extra charge for anything other than 11"

Cover Enhancements:

- Vis#10622 Upgrade Combo-6mil/Hinge/Rubber \$39.98
- Vis#10621 Double-Thick Vapor Barrier (6mil) \$21.98
- Vis#10619 Full Length Hingeseal \$27.98
- Vis#10620 Rubber Handle \$12.98
- Vis#10631 Straps Besides 11"*** Each \$10.00
- Vis#10632 Speaker Spa Cutouts & Hoods QTY: _____ Each \$75.00
- Vis#10635 Free-Form Special (add'l 3weeks) \$60.00
- Vis#10633 Long 5.5-9" Skirt* \$21.98
- Vis#10634 Extra Long 9.5-13" Skirt* \$43.98

Foam:(More information on back)

- 1.0 lb. Standard Duty Density
- Vis#10623 -4" X2" Taper
 - Vis#10627 -4" X2" Walk-On
 - Vis#10624 -5" X3" Taper
 - Vis#10625 -6" X4" Taper
- 2.0 lb. Heavy Duty Density
- Vis#10618 -4" X2" Taper
 - Vis#10616 -5" X3" Taper
 - Vis#10626 -6" X4" Taper

Size Certification & Acknowledgement: Please double-check your provided measurements. Spa covers are custom made to your PROVIDED MEASUREMENTS. Spa covers are non-refundable. If ordering solely by make and model, you are agreeing to accept the measurements as we have them in our database. It is highly recommended to NOT place an order without also providing physical measurements. We reserve the right to reject any order that does not have accompanying physical measurements. Spa covers will not be made smaller than the required size; however, due to the nature of our manufacturing process, covers may measure up to 1" larger than required size.

I have read and agree to the statements above and have verified the provided measurements to be accurate.

Signature: _____ Date: _____